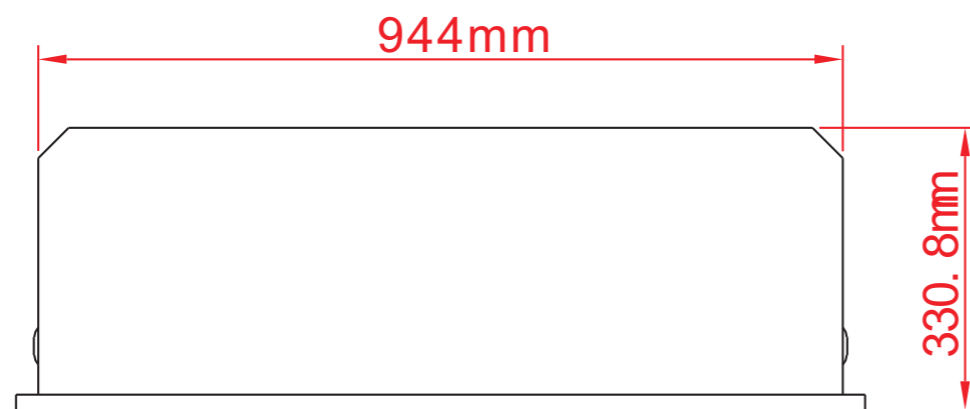
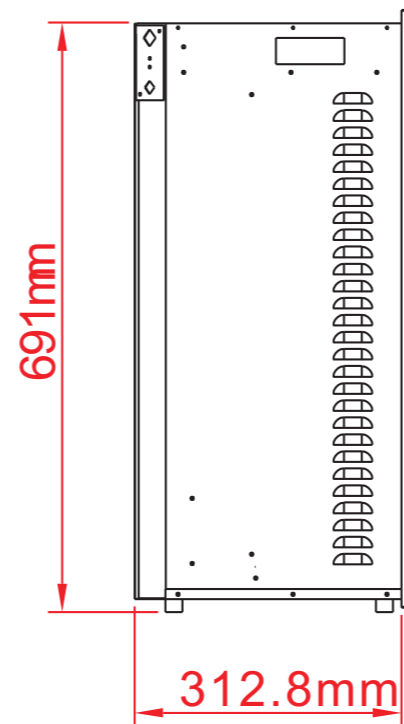
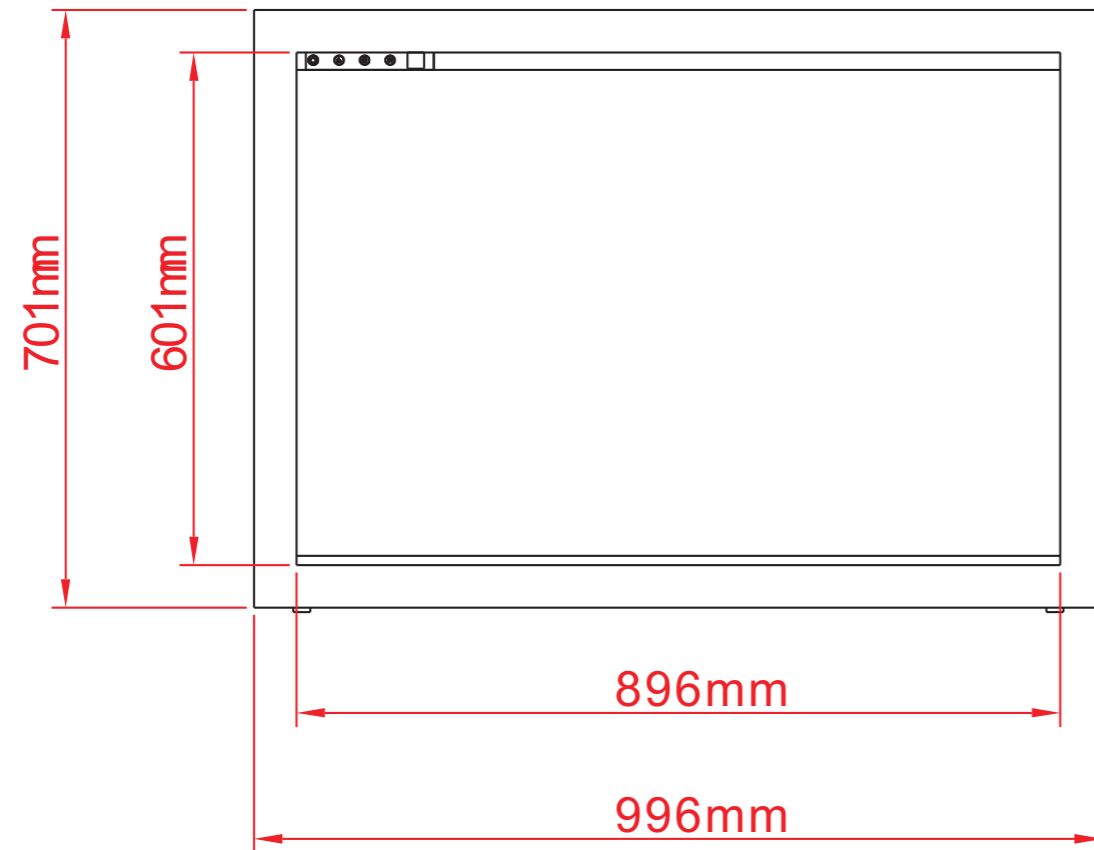


TECHNICAL SPECIFICATIONS

| | | |
|-----------------------|-----------------------------|------------|
| VOLTS | 220-240 V 50/60Hz | |
| AMPS | 6.25 | |
| WATTS | 1260W-1500W | |
| HEATER | HIGH | 1500 watts |
| | LOW | 750 watts |
| NO HEATER | 22 watts | |
| LAMPS | TYPE | LED |
| | WATTS | |
| | TOTAL WATTS | 22 watts |
| ROTOR MOTOR | 1 at 5 watts | |
| HEIGHT,WIDTH,DEPTH | 27 1/4" x 37 1/8" x 12 3/8" | |
| GLASS VIEWING OPENING | 23 5/8" X 35 1/4" | |
| GLASS SIZE | 23 5/8" X 35 1/4" | |
| SHIPPING SIZE | 29 5/8" x 41 6/8" x 15 4/8" | |
| SHIPPING WEIGHT | 81.6 lbs | |
| | UNIT | |
| | GLASS FRONT | Included |
| PLUG LOCATION | Left Side | |
| CORD LENGTH | 76" | |
| APPROX. HEATING AREA | 400 sq ft | |

Amantii

| | | | |
|----------------|----------------|--------------|-----|
| SERIES | MODEL | CE | REV |
| TRADITIONAL | TRD-38 | | 1 |
| SCALE 1"=1'-0" | DATE: 8/5/2019 | SHEET 1 OF 1 | |



TECHNICAL SPECIFICATIONS

| | | |
|-----------------------|------------------------|------------|
| VOLTS | 220-240 V 50/60Hz | |
| AMPS | 6.25 | |
| WATTS | 1260W-1500W | |
| HEATER | HIGH | 1500 watts |
| | LOW | 750 watts |
| NO HEATER | 22 watts | |
| LAMPS | TYPE | LED |
| | WATTS | |
| | TOTAL WATTS | 22 watts |
| ROTOR MOTOR | 1 at 5 watts | |
| HEIGHT,WIDTH,DEPTH | 69.1 x 94.4 x 31.3 cm | |
| GLASS VIEWING OPENING | 60.1 X 89.6 cm | |
| GLASS SIZE | 60.1 X 89.6 cm | |
| SHIPPING SIZE | 75.1 x 105.9 x 39.5 cm | |
| SHIPPING WEIGHT | UNIT | 37 Kgs |
| | GLASS FRONT | Included |
| PLUG LOCATION | Left Side | |
| CORD LENGTH | 193 cm | |
| APPROX. HEATING AREA | 37 sqm | |

Amantii

| | | | |
|-----------------------|-----------------|----|--------------|
| SERIES TRADITIONAL | MODEL TRD-38 | CE | REV 1 |
| SCALE 1:12 | DATE: 8/5/2019 | | SHEET 1 OF 1 |