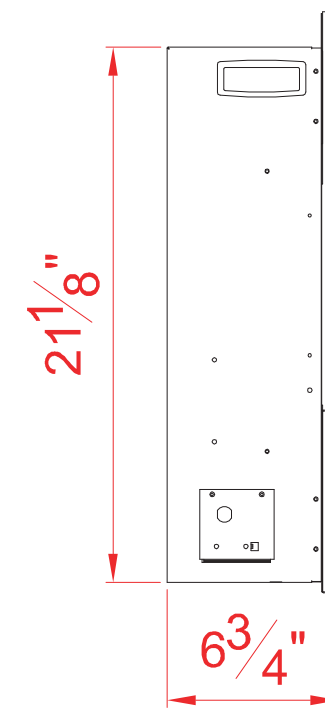
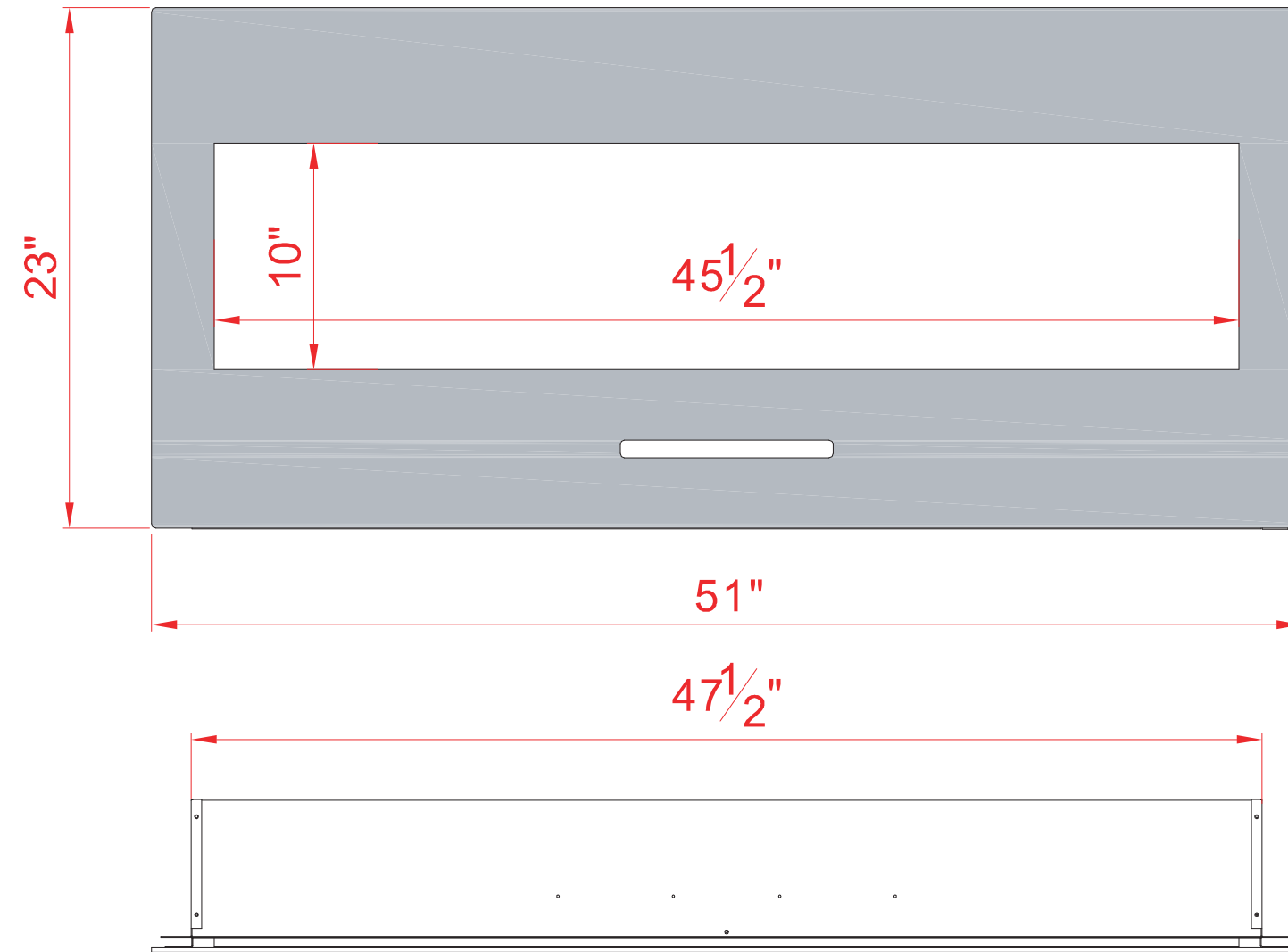



TECHNICAL SPECIFICATIONS



Description	Built-in or Wall Mount Appliance
Voltage	240V AC 50Hz
Watts	1900W Max
NO HEATER	25W
MOTOR HEATER	19W
Appliance Width	47 1/2" or 120.6 cm
Appliance Height	21 1/8" or 53.6 cm
Appliance Depth	6 1/8" or 15.5 cm
Gross Weight	127.6lbs or 58kg
Plug Location	Left side
Cord Length	70 7/8" or 180 cm
Rough Wall Opening Size	48 1/2" 22" or 123.2 cm 55.9 cm
BTU	6500

Amantii

SERIES BUILT IN	MODEL WM-FM-50-BG		REV 1
SCALE 1" = 1'-0"	DATE: 04/30/2018		SHEET 1 OF 1