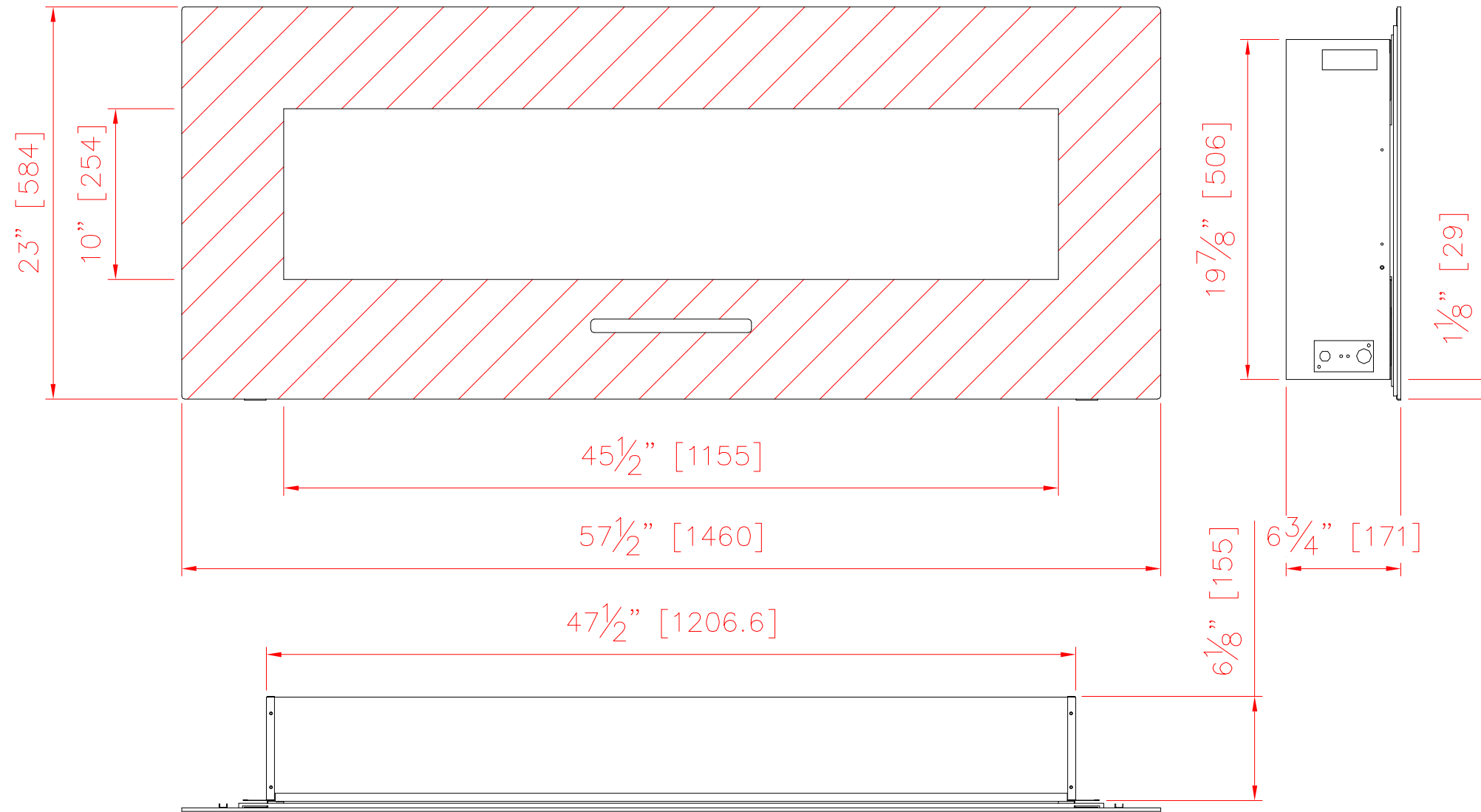



TECHNICAL SPECIFICATIONS

Description	Built-in or Wall Mount Appliance
Voltage	240V AC 50-60Hz
Watts	1900W Max
NO HEATER	25W
MOTOR HEATER	19W
Appliance Width	47 1/2" or 120.6 cm
Appliance Height	19 7/8" or 50.6 cm
Appliance Depth	6 1/8" or 15.5 cm
Gross Weight	81 lbs or 36.7 kg
Plug Location	Left side
Cord Length	70 7/8" or 180 cm
Rough Wall Opening Size	49" 20 1/2" or 124.5 cm 52 cm
BTU	6500



Amantii

SERIES WM-BI	MODEL WM-FM-48-5823-BG		REV 1
SCALE 1" = 1'-0"	DATE: 04/30/2018		SHEET 1 OF 1