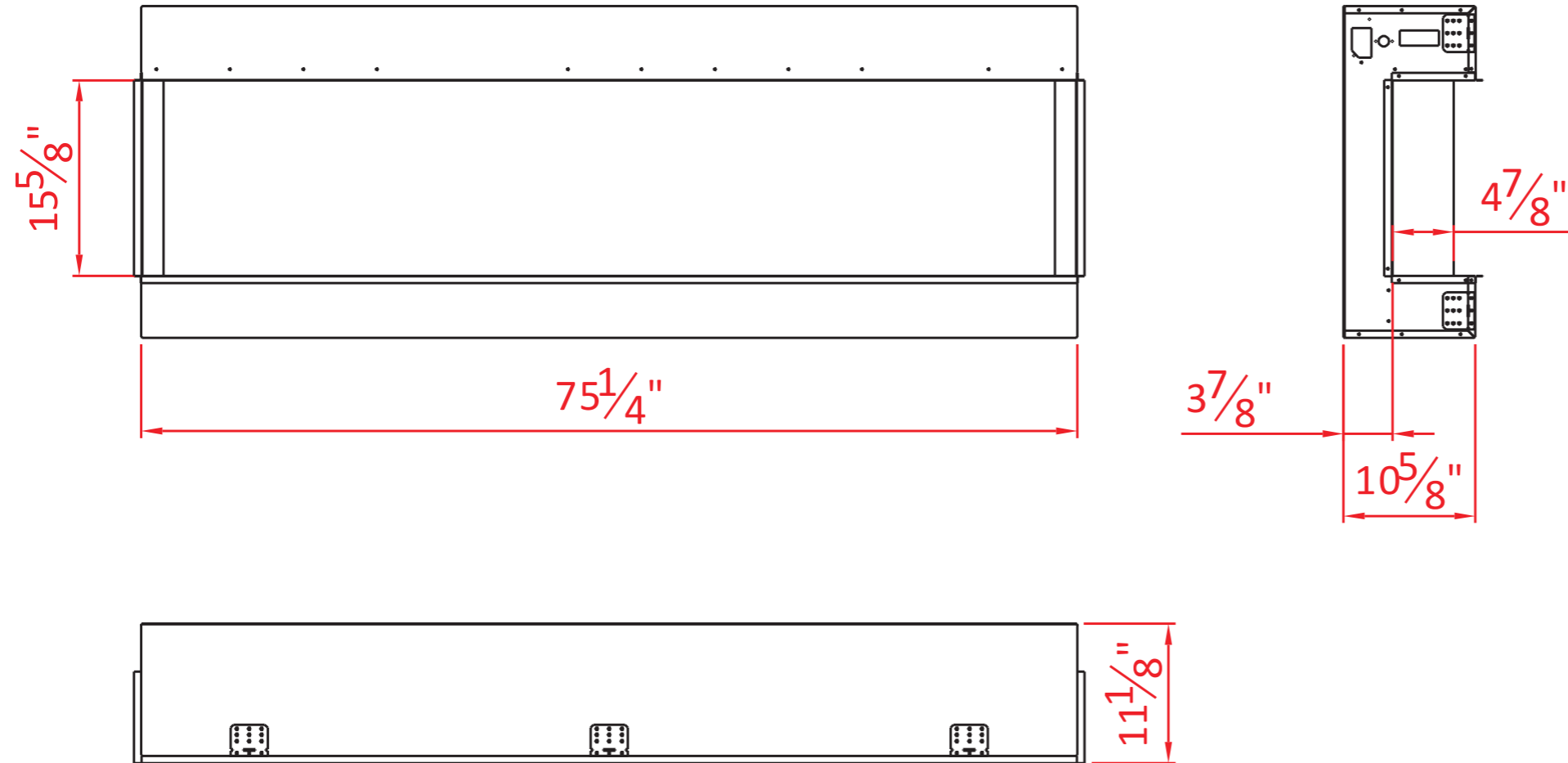


Designed To Be Installed in a 2 by 4 Wall

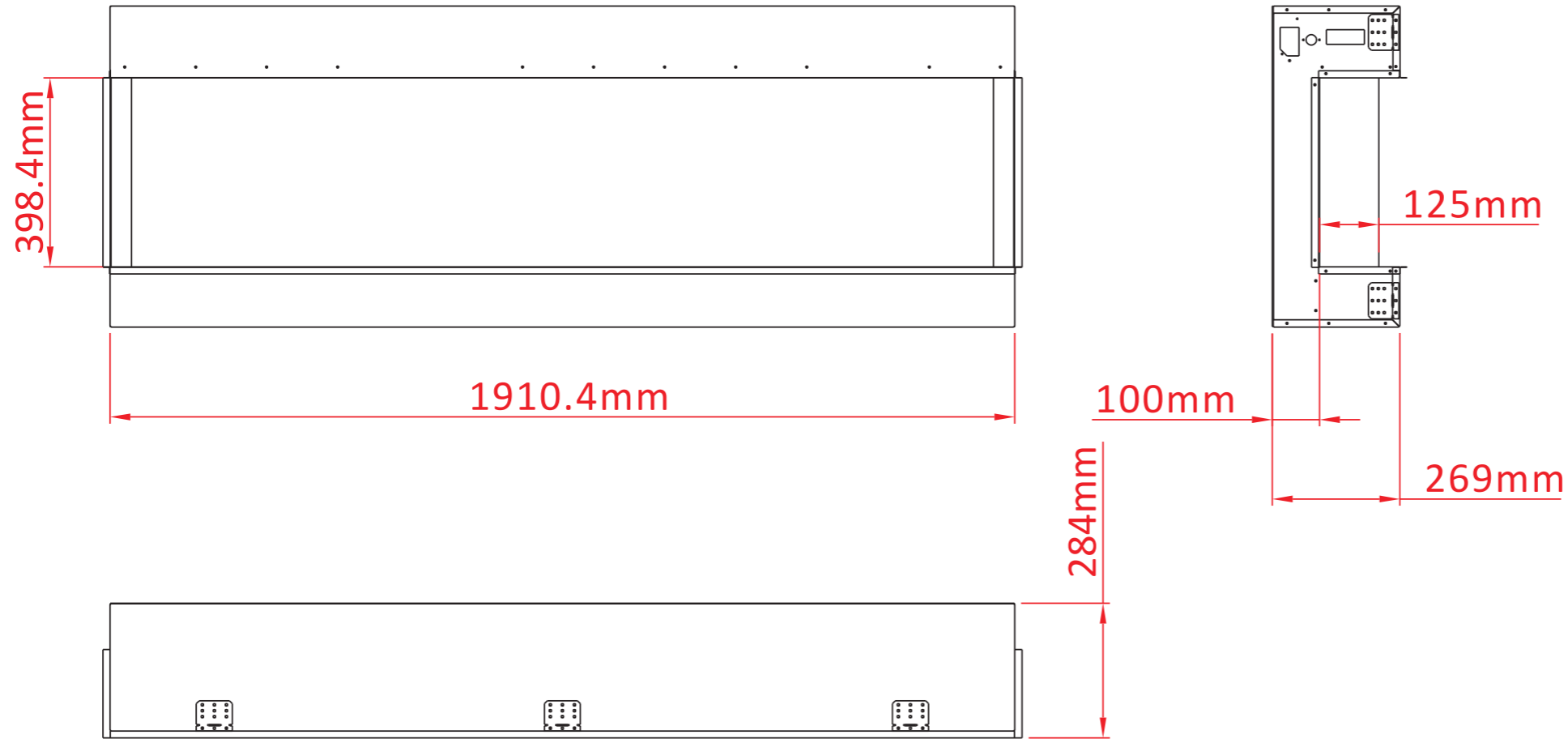


TECHNICAL SPECIFICATIONS

VOLTS	240	
AMPS	7.91	
WATTS	1900	
HEATER	HIGH	1900 watts
	LOW	950 watts
NO HEATER	19 watts	
LAMPS	TYPE	LED
	WATTS	
	TOTAL WATTS	60 watts
ROTOR MOTOR	2 at 5 watts	
HEIGHT,WIDTH,DEPTH	26 5/8" x 75 1/4" x 10 5/8"	
GLASS VIEWING OPENING	15 5/8" X 71 5/8"	
GLASS SIZE	15 5/8" X 71 5/8"	
SHIPPING SIZE	29 1/8" x 79 5/8" x 12 5/8"	
SHIPPING WEIGHT	UNIT	167.1 lbs
	GLASS FRONT	139.1 lbs
	GLASS FRONT	Included
PLUG LOCATION	Left Side	
CORD LENGTH	76"	
APPROX. HEATING AREA	400 sq ft	

SERIES	MODEL	CE	REV
TRU VIEW	72-TRV-SLIM		1
SCALE 1"=1'-0"	DATE: 9/4/2019	SHEET 1 OF 1	

Designed To Be Installed in a 2 by 4 Wall



TECHNICAL SPECIFICATIONS		
VOLTS		240
AMPS		7.91
WATTS		1900
HEATER	HIGH	1900 watts
	LOW	950 watts
NO HEATER		19 watts
LAMPS	TYPE	LED
	WATTS	
	TOTAL WATTS	60 watts
ROTOR MOTOR		2 at 5 watts
HEIGHT,WIDTH,DEPTH		67.7 x 191 x 26.9 cm
GLASS VIEWING OPENING		39.8 X 182 cm
GLASS SIZE		39.8 X 182 cm
SHIPPING SIZE		74 x 202.1 x 32 cm
SHIPPING WEIGHT		75.8 Kgs
	UNIT	63.1 Kgs
	GLASS FRONT	Included
PLUG LOCATION		Left Side
CORD LENGTH		193 cm
APPROX. HEATING AREA		37 sqm

Amantii

SERIES	MODEL	CE	REV
TRU VIEW	72-TRV-SLIM		1
SCALE 1:12	DATE: 9/4/2019	SHEET 1 OF 1	