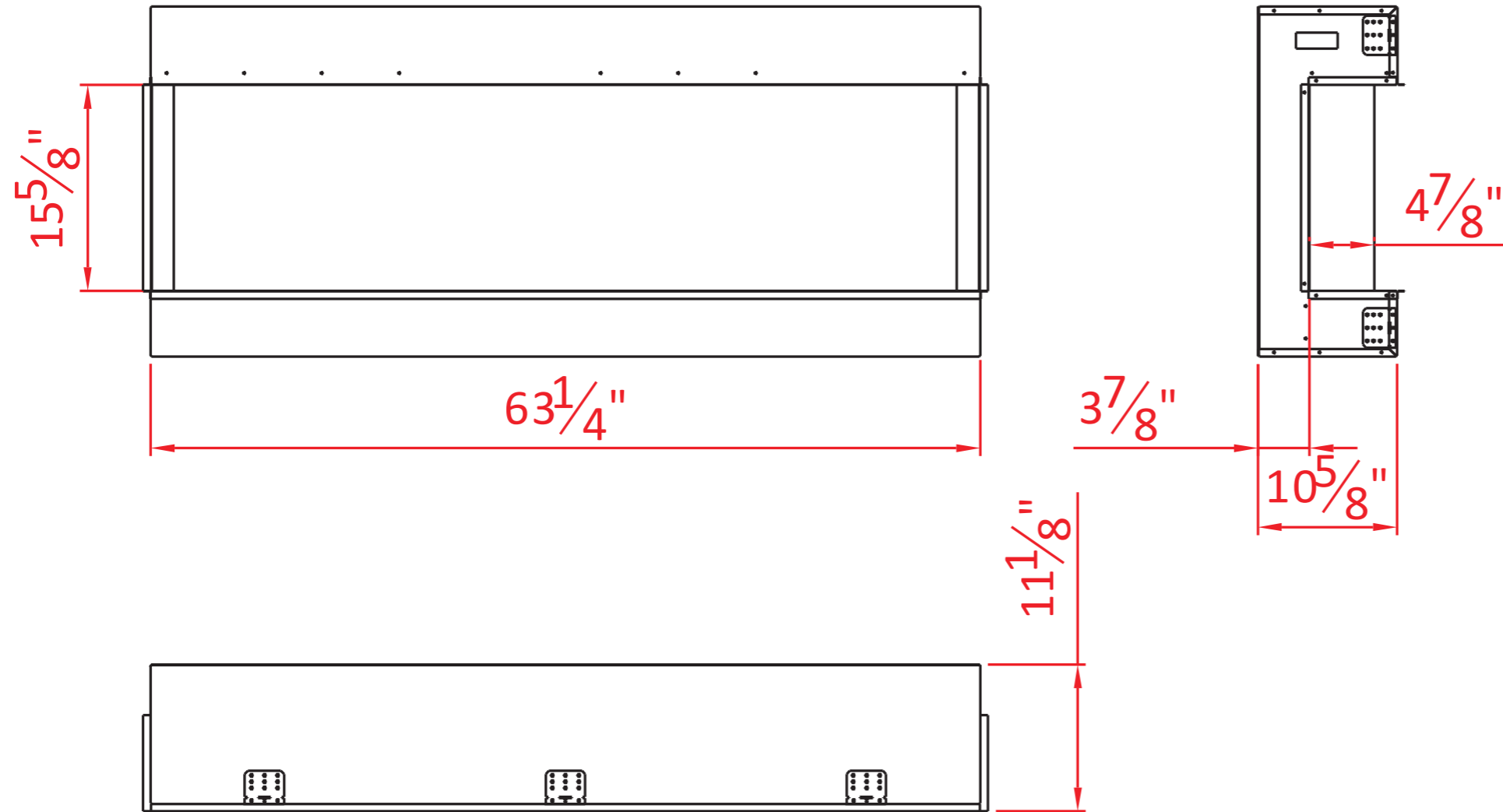


Designed To Be Installed in a 2 by 4 Wall

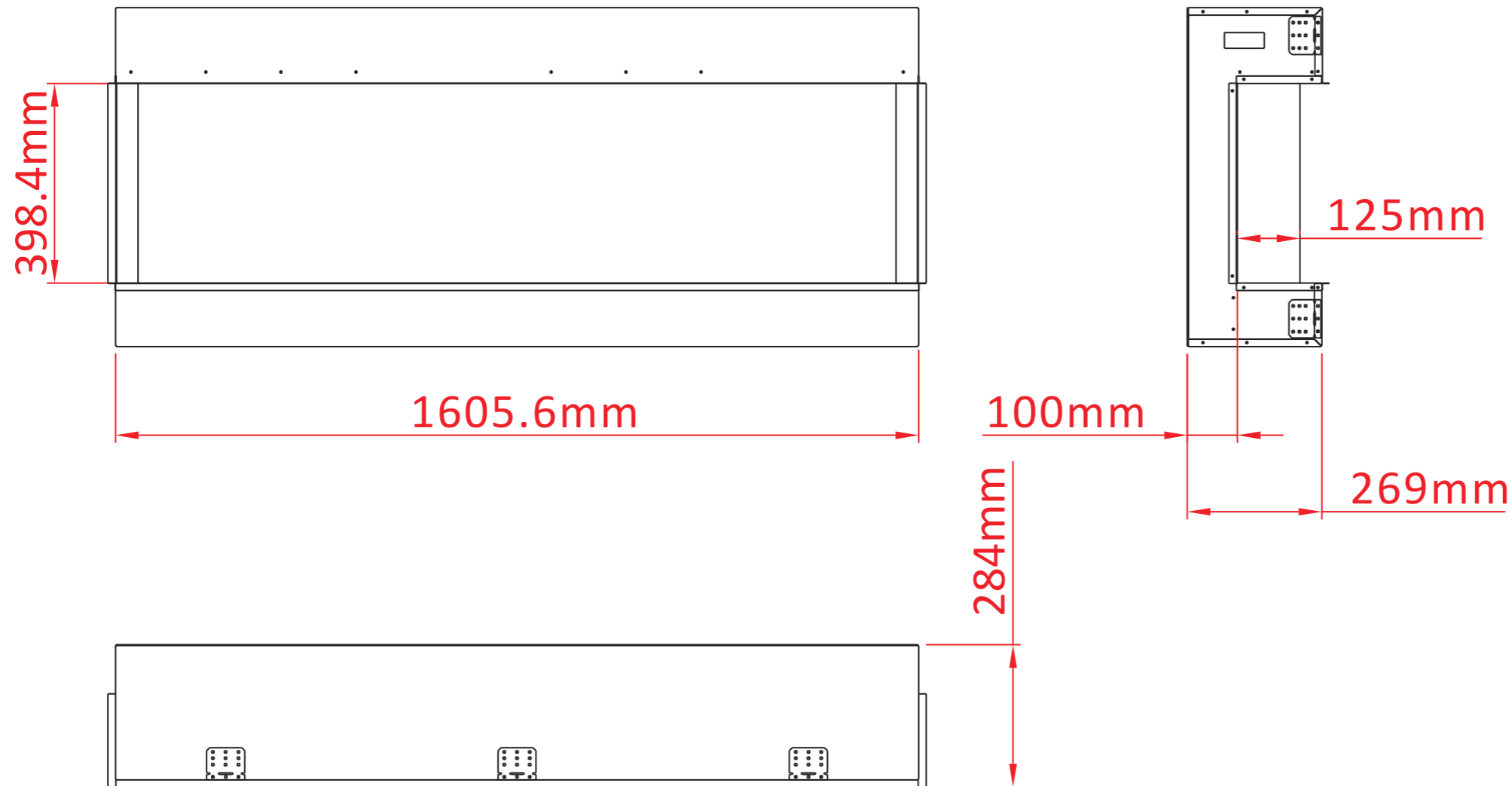


TECHNICAL SPECIFICATIONS		
VOLTS		240
AMPS		7.91
WATTS		1900
HEATER	HIGH	1900 watts
	LOW	950 watts
NO HEATER		19 watts
LAMPS	TYPE	LED
	WATTS	
	TOTAL WATTS	54 watts
ROTOR MOTOR		2 at 5 watts
HEIGHT,WIDTH,DEPTH		26 5/8" x 63 1/4" x 10 5/8"
GLASS VIEWING OPENING		15 5/8" X 59 5/8"
GLASS SIZE		15 5/8" X 59 5/8"
SHIPPING SIZE		29 1/8" x 67 4/8" x 12 5/8"
SHIPPING WEIGHT		140.2 lbs
	UNIT	119.3 lbs
	GLASS FRONT	Included
PLUG LOCATION		Left Side
CORD LENGTH		76"
APPROX. HEATING AREA		400 sq ft

Amantii

SERIES	MODEL	CE	REV
TRU VIEW	60-TRV-SLIM		1
SCALE 1"=1'-0"	DATE: 9/4/2019	SHEET 1 OF 1	

Designed To Be Installed in a 2 by 4 Wall



TECHNICAL SPECIFICATIONS		
VOLTS		240
AMPS		7.91
WATTS		1900
HEATER	HIGH	1900 watts
	LOW	950 watts
NO HEATER		19 watts
LAMPS	TYPE	LED
	WATTS	
	TOTAL WATTS	54 watts
ROTOR MOTOR		2 at 5 watts
HEIGHT,WIDTH,DEPTH		67.7 x 160.6 x 26.9 cm
GLASS VIEWING OPENING		39.8 X 151.5 cm
GLASS SIZE		39.8 X 151.5 cm
SHIPPING SIZE		74 x 171.6 x 32 cm
SHIPPING WEIGHT		63.6 Kgs
	UNIT	54.1 Kgs
GLASS FRONT		Included
PLUG LOCATION		Left Side
CORD LENGTH		193 cm
APPROX. HEATING AREA		37 sqm

SERIES	MODEL	CE	REV
TRU VIEW	60-TRV-SLIM		1
SCALE 1:12	DATE: 9/4/2019	SHEET 1 OF 1	