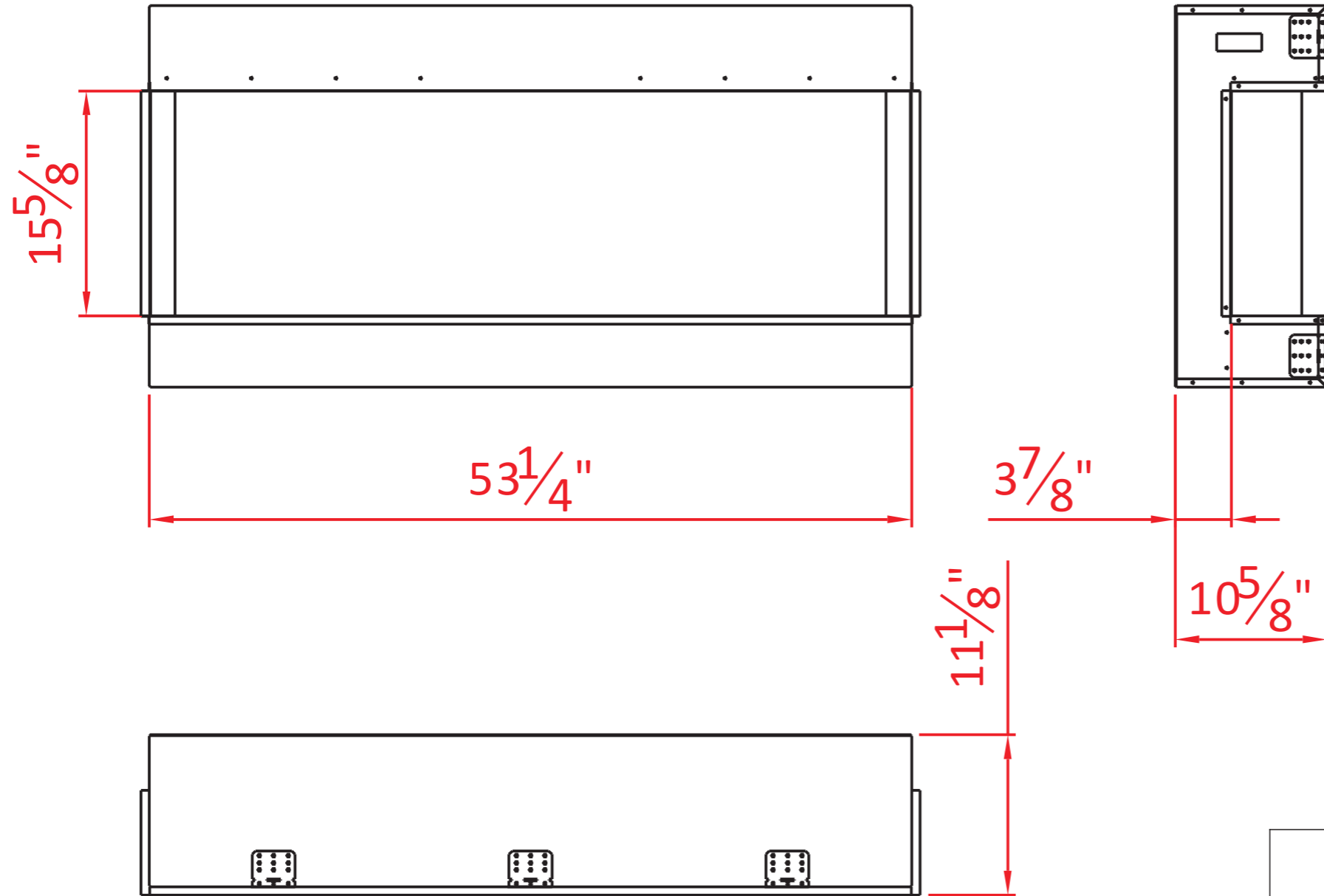


Designed To Be Installed in a 2 by 4 Wall

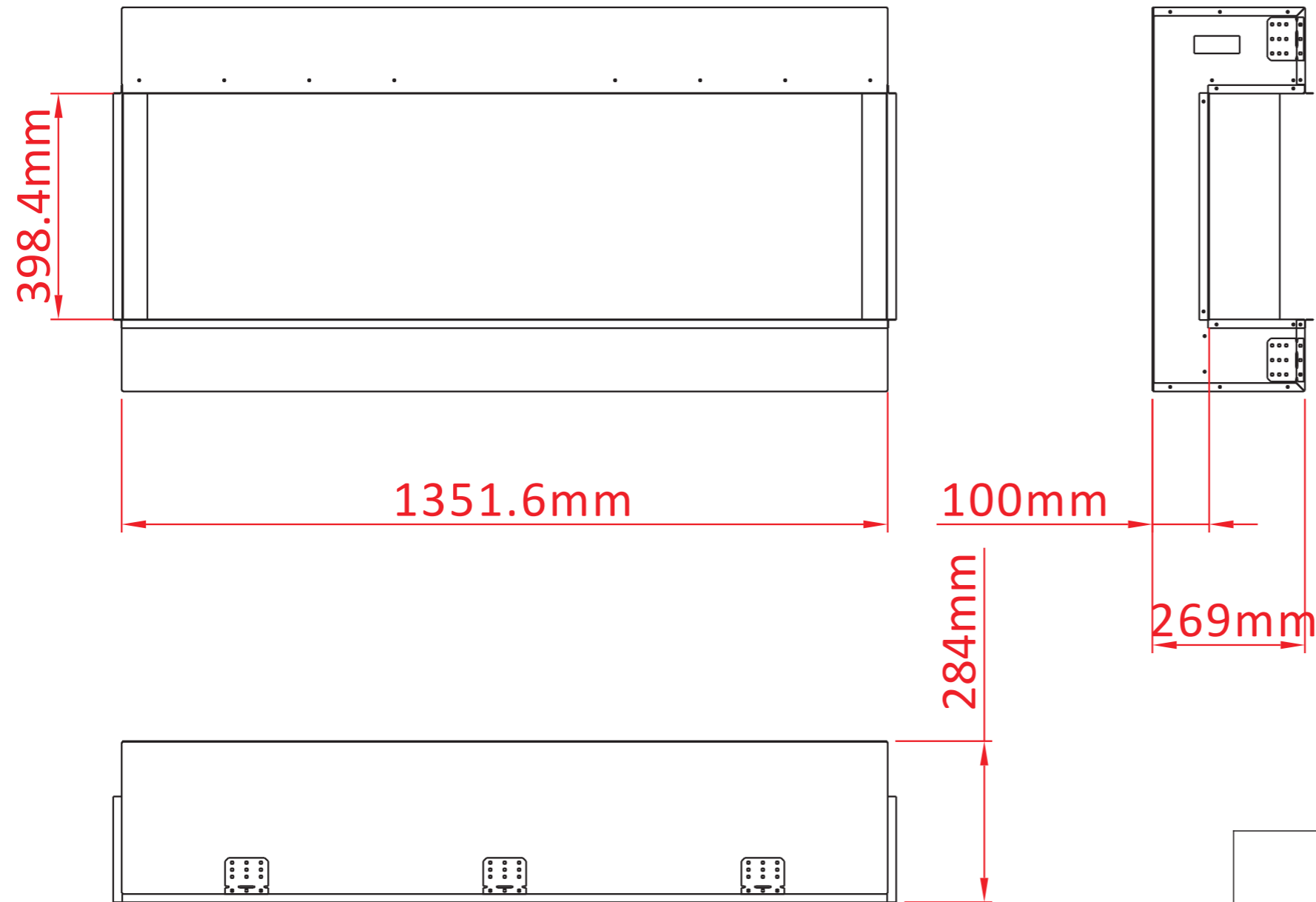


TECHNICAL SPECIFICATIONS

VOLTS	240	
AMPS	7.91	
WATTS	1900	
HEATER	HIGH	1900 watts
	LOW	950 watts
NO HEATER	19 watts	
LAMPS	TYPE	LED
	WATTS	
	TOTAL WATTS	48 watts
ROTOR MOTOR	2 at 5 watts	
HEIGHT,WIDTH,DEPTH	26 5/8" x 53 1/4" x 10 5/8"	
GLASS VIEWING OPENING	15 5/8" X 49 5/8"	
GLASS SIZE	15 5/8" X 49 5/8"	
SHIPPING SIZE	29 1/8" x 57 4/8" x 12 5/8"	
SHIPPING WEIGHT	121.5 lbs	
	UNIT	102.3 lbs
GLASS FRONT	Included	
PLUG LOCATION	Left Side	
CORD LENGTH	76"	
APPROX. HEATING AREA	400 sq ft	

SERIES	MODEL	CE	REV
TRU VIEW	50-TRV-SLIM		1
SCALE 1"=1'-0"	DATE: 9/4/2019	SHEET 1 OF 1	

Designed To Be Installed in a 2 by 4 Wall



TECHNICAL SPECIFICATIONS		
VOLTS		240
AMPS		7.91
WATTS		1900
HEATER	HIGH	1900 watts
	LOW	950 watts
NO HEATER		19 watts
LAMPS	TYPE	LED
	WATTS	
	TOTAL WATTS	48 watts
ROTOR MOTOR		2 at 5 watts
HEIGHT,WIDTH,DEPTH		67.7 x 135.1 x 26.9 cm
GLASS VIEWING OPENING		39.8 X 126.1 cm
GLASS SIZE		39.8 X 126.1 cm
SHIPPING SIZE		74 x 146.2 x 32 cm
SHIPPING WEIGHT		55.1 Kgs
	UNIT	46.4 Kgs
	GLASS FRONT	Included
PLUG LOCATION		Left Side
CORD LENGTH		193 cm
APPROX. HEATING AREA		37 sqm



SERIES	MODEL	CE	REV
TRU VIEW	50-TRV-SLIM		1
SCALE 1:12	DATE: 9/4/2019	SHEET 1 OF 1	