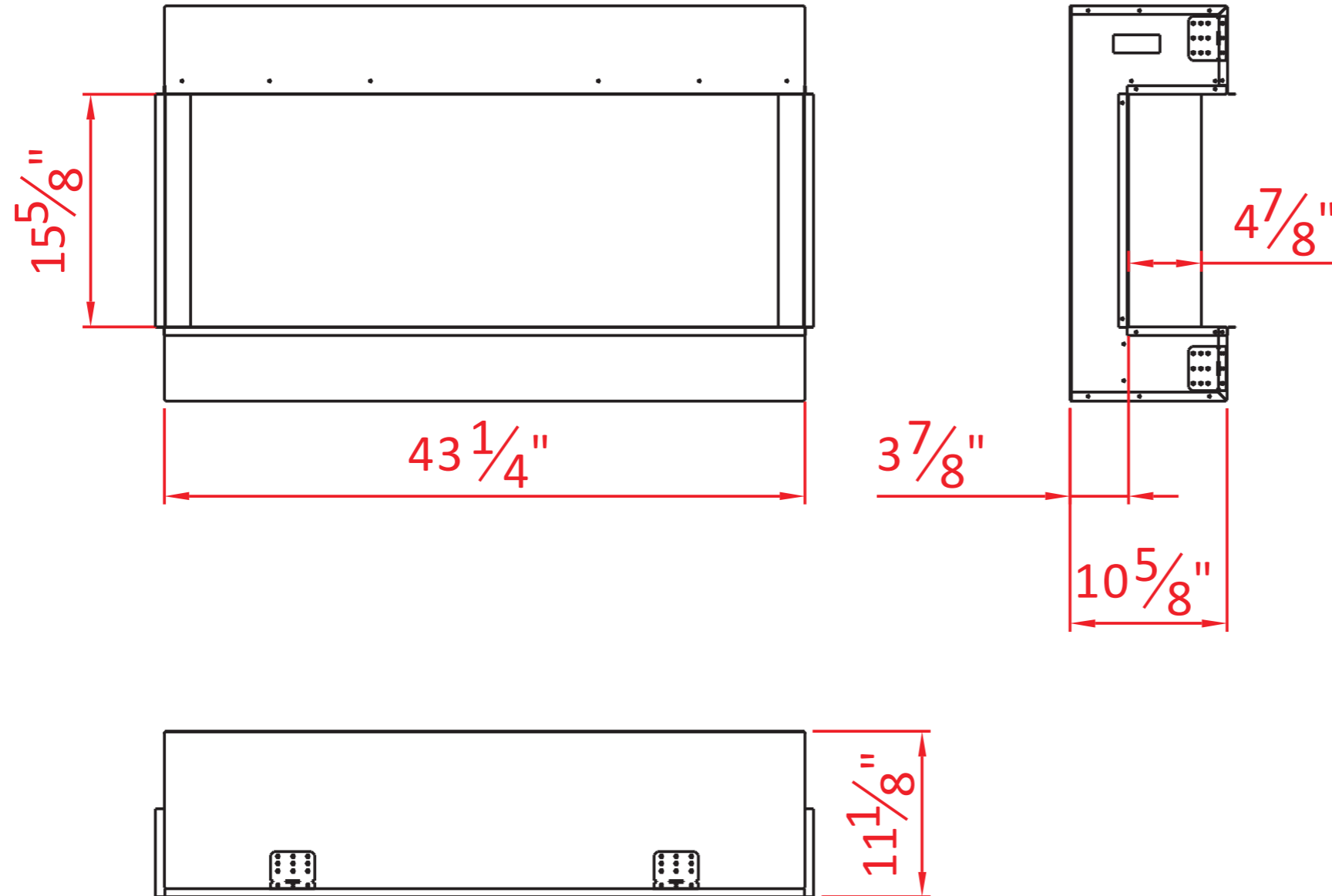


Designed To Be Installed in a 2 by 4 Wall

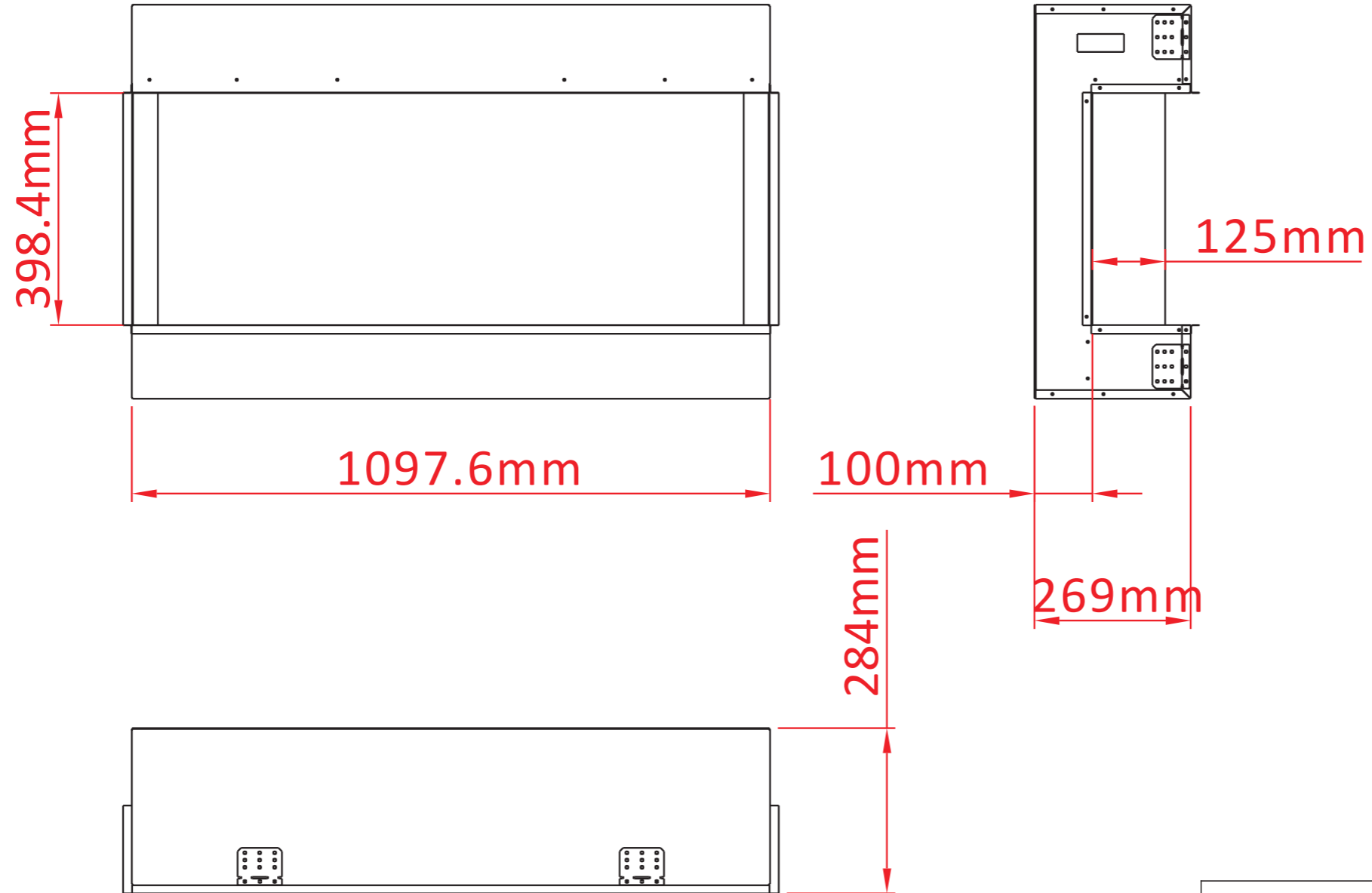


TECHNICAL SPECIFICATIONS

VOLTS	240	
AMPS	7.91	
WATTS	1900	
HEATER	HIGH	1900 watts
	LOW	950 watts
NO HEATER	19 watts	
LAMPS	TYPE	LED
	WATTS	
	TOTAL WATTS	41 watts
ROTOR MOTOR	2 at 5 watts	
HEIGHT,WIDTH,DEPTH	26 5/8" x 43 1/4" x 10 5/8"	
GLASS VIEWING OPENING	15 5/8" X 39 5/8"	
GLASS SIZE	15 5/8" X 39 5/8"	
SHIPPING SIZE	29 1/8" x 47 4/8" x 12 5/8"	
SHIPPING WEIGHT	103.6 lbs	
	UNIT	86.4 lbs
GLASS FRONT	Included	
PLUG LOCATION	Left Side	
CORD LENGTH	76"	
APPROX. HEATING AREA	400 sq ft	

SERIES	MODEL	CE	REV
TRU VIEW	40-TRV-SLIM		1
SCALE 1"=1'-0"	DATE: 9/4/2019	SHEET 1 OF 1	

Designed To Be Installed in a 2 by 4 Wall



TECHNICAL SPECIFICATIONS		
VOLTS		240
AMPS		7.91
WATTS		1900
HEATER	HIGH	1900 watts
	LOW	950 watts
NO HEATER		19 watts
LAMPS	TYPE	LED
	WATTS	
	TOTAL WATTS	41 watts
ROTOR MOTOR		2 at 5 watts
HEIGHT,WIDTH,DEPTH		67.7 x 109.8 x 26.9 cm
GLASS VIEWING OPENING		39.8 X 100.7 cm
GLASS SIZE		39.8 X 100.7 cm
SHIPPING SIZE		74 x 120.8 x 32 cm
SHIPPING WEIGHT		47 Kgs
	UNIT	39.2 Kgs
GLASS FRONT		Included
PLUG LOCATION		Left Side
CORD LENGTH		193 cm
APPROX. HEATING AREA		37 sqm



SERIES	MODEL	CE	REV
TRU VIEW	40-TRV-SLIM		1
SCALE 1:12	DATE: 9/4/2019	SHEET 1 OF 1	