
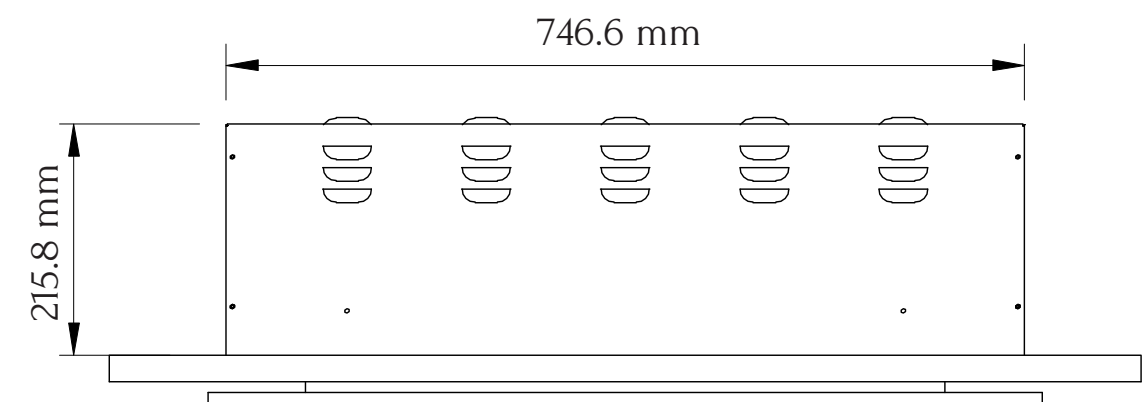
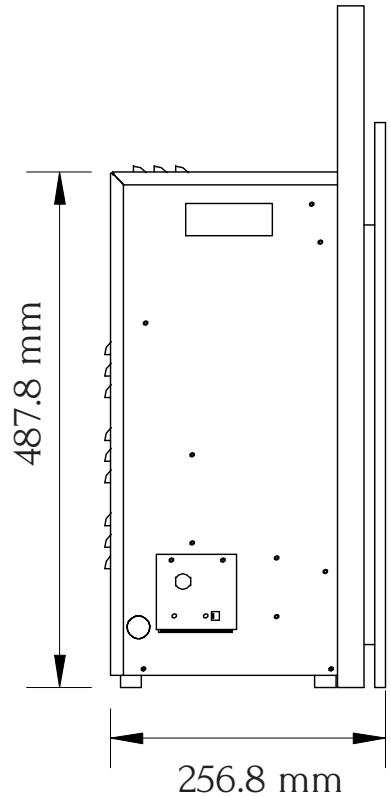
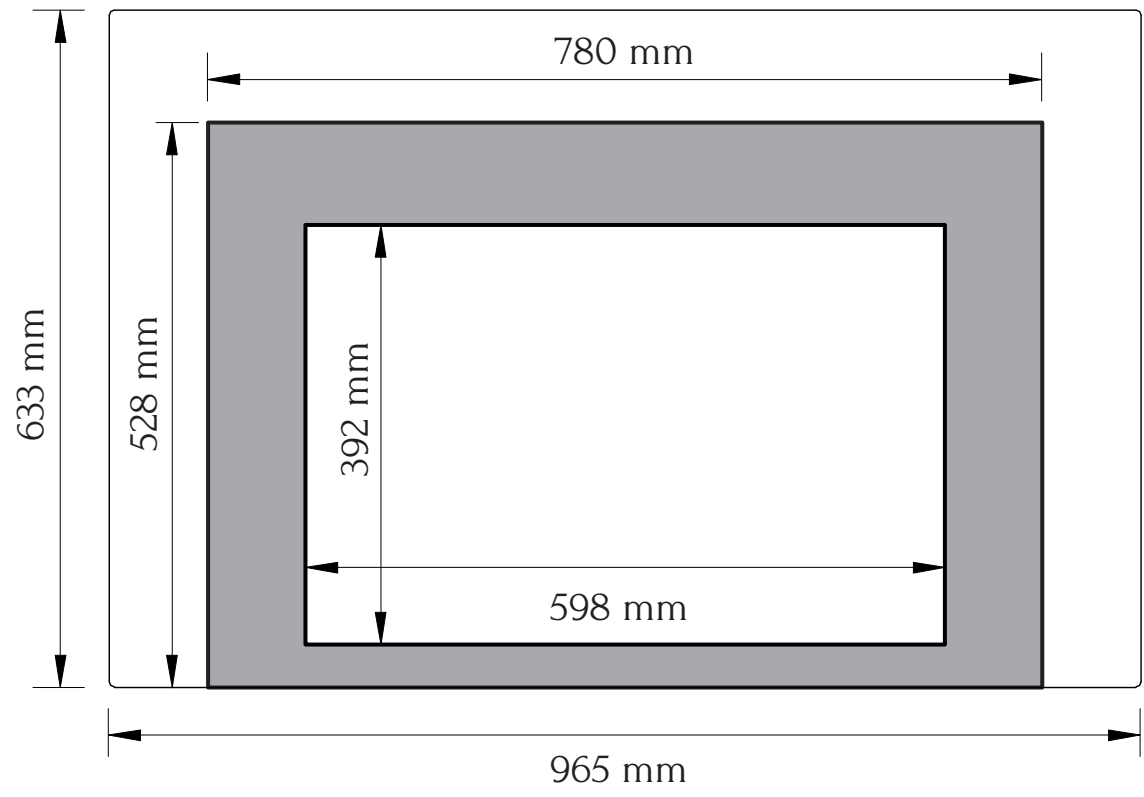


| TECHNICAL SPECIFICATIONS |                          |            |
|--------------------------|--------------------------|------------|
| VOLTS                    | 240                      |            |
| AMPS                     | 8                        |            |
| WATTS                    | 1900                     |            |
| HEATER                   | HIGH                     | 1900 watts |
|                          | LOW                      | 900 watts  |
| NO HEATER                | 35 watts                 |            |
| LAMPS                    | QUANTITY                 | LED        |
|                          | WATTS                    |            |
|                          | TOTAL WATTS              | 15 watts   |
| ROTOR MOTOR              | 1 at 4 watts             |            |
| HEIGHT, WIDTH, DEPTH     | 19 x 29 3/8 x 8 1/2      |            |
| GLASS VIEWING OPENING    | 15 3/8 x 23 1/2          |            |
| SURROUND SIZE            | 24 7/8" x 38"            |            |
| SHIPPING SIZE            | 27 3/4 x 41 1/2 x 12 3/4 |            |
| SHIPPING WEIGHT          | UNIT                     | 64 lbs     |
|                          | GLASS FRONT              | Included   |
| PLUG LOCATION            | Left Side                |            |
| CORD LENGTH              | 74"                      |            |
| APPROX. HEATING AREA     | 400 sq ft                |            |




|                  |                    |   |              |
|------------------|--------------------|---|--------------|
| SERIES<br>INSERT | MODEL<br>INS-FM-30 |  | REV<br>1     |
| SCALE 1" = 1'-0" | DATE: 9/1/2014     |   | SHEET 1 OF 1 |



| TECHNICAL SPECIFICATIONS |                       |            |
|--------------------------|-----------------------|------------|
| VOLTS                    | 240                   |            |
| AMPS                     | 8                     |            |
| WATTS                    | 1900                  |            |
| HEATER                   | HIGH                  | 1900 watts |
|                          | LOW                   | 900 watts  |
| NO HEATER                | 35 watts              |            |
| LAMPS                    | QUANTITY              | LED        |
|                          | WATTS                 |            |
|                          | TOTAL WATTS           | 15 watts   |
| ROTOR MOTOR              | 1 at 4 watts          |            |
| HEIGHT, WIDTH, DEPTH     | 48.8 x 74.7 x 21.6 cm |            |
| GLASS VIEWING OPENING    | 39.2 x 59.8 cm        |            |
| SURROUND SIZE            | 63.3 x 96.5 cm        |            |
| SHIPPING SIZE            | 69.9 x 105 x 31.8 cm  |            |
| SHIPPING WEIGHT          | UNIT                  | 29 kg      |
|                          | GLASS FRONT           | Included   |
| PLUG LOCATION            | Left Side             |            |
| CORD LENGTH              | 190 cm                |            |
| APPROX. HEATING AREA     | 37 sqm                |            |



|            |                |   |     |
|------------|----------------|---|-----|
| SERIES     | MODEL          |  | REV |
| INSERT     | INS-FM-30      |   | 1   |
| SCALE 1:12 | DATE: 9/1/2014 | SHEET 1 OF 1  |     |